

LUG TYPE BRACKETS

(100% VIBRATION TRANSFER)

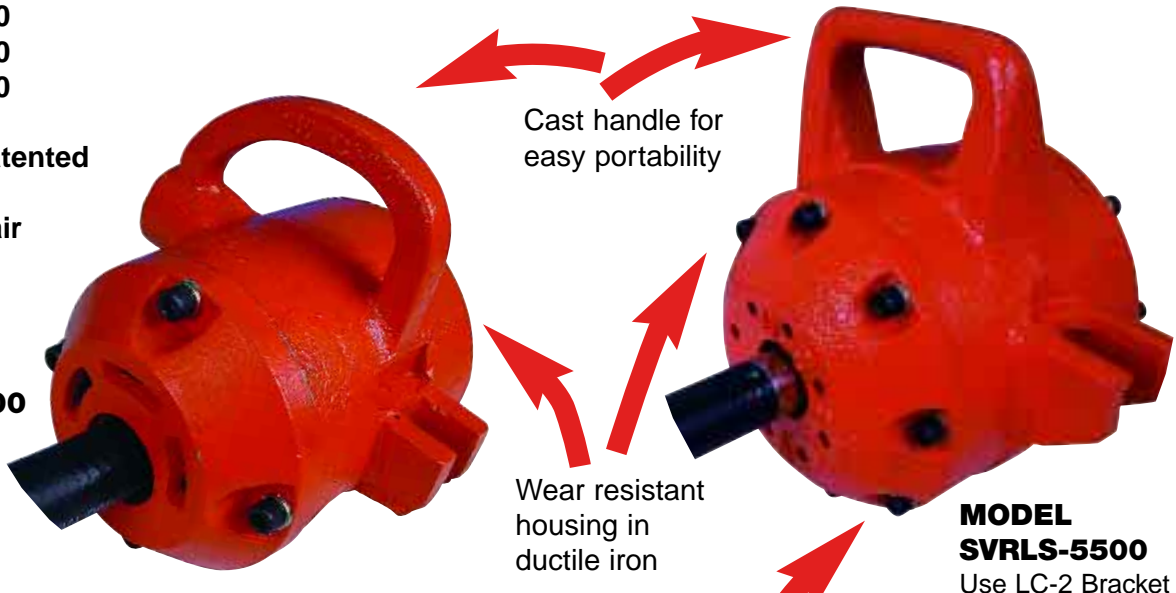
MODELS:

- SVRLS-4000
- SVRLS-5500
- SVRLS-6500
- SVRLS-8000

VIBCO'S patented silent, high frequency air vibrator.

MODEL SVRLS-4000

Use LC-2 Bracket



MODEL SVRLS-5500
Use LC-2 Bracket

Swivel nut for ease of tightening

Lug Bracket LC-1, LC-2

Replaceable shaft nut & eyebolt



USER NOTE:

Weld mild steel rod both sides eliminate bracket breaking loose & fatigue cracks

The Lug Bracket has gained popularity in the concrete pipe and heavy concrete form field where a lot of force has to be transmitted to the form and ease of portability is essential. 95-100% of force created by the vibrator is transmitted to the form. VIBCO'S inexpensive lug bracket can be welded on in any location where additional vibration is needed. Replaceable parts make them last practically forever.

ELECTRIC • PNEUMATIC • HYDRAULIC



USL-900 & -1600
use LC-2 Bracket

2PL-900 & -1600
use LC-2 Bracket

HL-3000
use LC-1 Bracket

SVRL & SVRLS -5500, -6500 & -8000
use LC-1 Bracket

SVRLS -4000
use LC-2 Bracket

CCL-5000
use LC-1 Bracket

LC-1

LC-2

LUG TYPE VIBRATORS

The lug type bracket has become more popular due to the fact that it secures the vibrator firmly and 95-100% of the vibration force is transmitted. There are two lug type brackets, the small LC-2 and the larger LC-1.

The SVR units with their high frequency and high force are used for the big jobs. They give a fast pour, high strength and an architectural surface finish. These pneumatic units operate at 9-12000 VPM and up to 100-110 PSI on lubricated air. These bearingless units have only one moving part and require a minimum of maintenance.

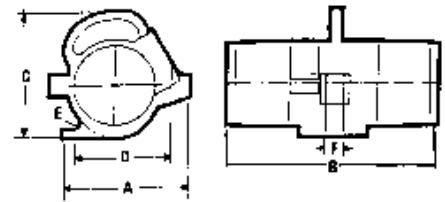
The CCL-2000, CCL-4000, CCL-5000 and CCL-7000 are turbine type vibrators with speeds up to 7000 VPM, absolutely quiet. Their bearings are prelubricated for life.

Model 2PL-900 and 2PL-1600 electrics are made in both single phase and three phase. USL-900 & USL-1600 are high frequency vibrators with 9000 to 10000 VPM. They are 115 volt and can be plugged into any light outlet or used with field generators. Speed can be adjusted with simple rheostats or electronic speed adjusters. Force is also adjustable with 3 force settings on the eccentrics.

Model HL- 3000 hydraulic is equipped with VIBCO's patented vibration isolation device, which eliminates vibration transfer from the vibrator part to the drive motor giving the motor bearings their full calculated life.

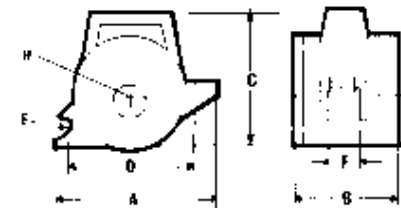
TECHNICAL DATA

Electric Models	Phase	Amperes at Volt			H.P.	Force (Impact) lbs./N						Adjustable	dB**	Weight		RPM
		115/230	230/460	575		Min.		Norm.		Max.				lbs.	kg.	
		1 & 3	1 & 3	1 & 3		lbs.	N	lbs.	N	lbs.	N			lbs.	kg.	
2PL-900	1 & 3	3/1.5	1/1.5	—	1/3	15	667	300	1335	450	2002	62	30	13.6	3600	
2PL-1600	1 & 3	5/2.5	1.2/6	—	1/2	110	489	450	2002	900	4004	64	48	21.8	3600	
USL-900	1	4.5/-	—	—	—	600	2669	900	4004	1100	4894	85	18	8.2	10000	
USL-1600	1	5.0/-	—	—	—	1100	4894	1600	7118	1800	8008	85	20	9.1	9000	



2PL USL

Pneumatic Models	Weight		80 PSI Force			90 PSI Force			100 PSI Force			CFM*	dB**
	lbs.	kg.	VPM*	lbs.	N	VPM*	lbs.	N	VPM*	lbs.	N		
SVRLS-4000	23	10.4	11500	3600	16000	12500	4000	17800	13500	4400	19500	40	78
SVRLS-5500	43	19.5	9000	4950	22000	10000	5500	24500	10500	6100	27100	54	78
SVRLS-6500	45	20.4	8800	5575	24800	9500	6500	28900	10000	7200	32000	58	80
SVRLS-8000	47	21.3	8500	7625	33900	8700	8000	35600	9500	9550	42500	62	82
SVRL-5500	37	16.8	9000	4950	22000	10800	5500	24500	10500	6100	27100	56	98
SVRL-6500	39	17.8	8800	5575	24800	9500	6500	28900	10000	7200	32000	60	98



SVRLS HL

Pneumatic Models	Weight		60 PSI Force			80 PSI Force			CFM*	dB**
	lbs.	kg.	VPM*	lbs.	N	VPM*	lbs.	N		
CCL-2000,4000	23	10.5	880	880	3914	6000	2000/4000	8900/17996	35	78
CCL-5000,7000	48	21.8	2200	2200	9785	6000	5000/7000	22245/31143	40	75

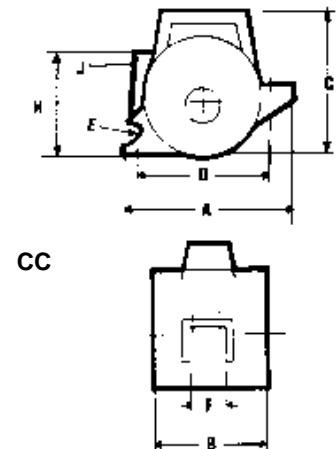
Hydraulic Models	Weight		Avg. PSI (max. 3000 PSI)	VPM*	GPM (max.)	Force		dB**
	lbs.	kg.				lbs.	N	
HL-3000	39	17.7	1000	5000	3.2	3400	15124	76

*Frequency and air consumption will vary with load. **dB a 3' (1 meter) on A scale N = Centrifugal force in Newton.

DIMENSIONS

Model	A	B	C	D	E	F	H	J	K	Brackets
	inch/model	inch/model	inch/model	inch/model	inch/model	inch/model	inch/model	inch/model	inch/model	
2PL-900	7 1/8	12 3/8	7 1/8	5 1/2	1 25	—	—	—	1 1/16	LC-2
2PL-1600	9 1/2	11 5/8	8 1/4	6 5/8	1 25	1 1/16	27	—	—	LC-1
USL-900	7 1/2	11 1/8	7 1/4	4 3/4	3/4	19	7/8	22	—	LC-2
USL-1600	7 7/8	11 279	7 1/4	4 3/4	19	7/8	22	—	—	LC-2
SVRLS-4000	7 1/8	12 3/8	7 1/2	6 1/2	10	7/8	22	3/4	19	LC-2
SVRLS-5500, 6500 & 8000	9 1/2	11 5/8	9 1/4	7 3/4	1 25	1 1/4	32	3/4	19	LC-1
SVRL-5500, 6500 & 8000	9 1/2	11 5/8	9 1/4	7 3/4	1 25	1 1/4	32	3/4	19	LC-1
CCL-2000, 4000	7 1/8	8 1/8	7 1/4	5 15/16	1 25	3/4	19	4 1/8	105	3/4-NPT
CCL-5000, 7000	9 3/8	11 1/8	8 5/8	8	203	1 25	1 1/4	32	5 1/4	133
HL-3000	9 1/2	11 1/4	9 1/4	7 3/4	1 25	1 1/4	32	—	—	1-NPT

NOTE: Dimensions and data subject to change without notice.



CC